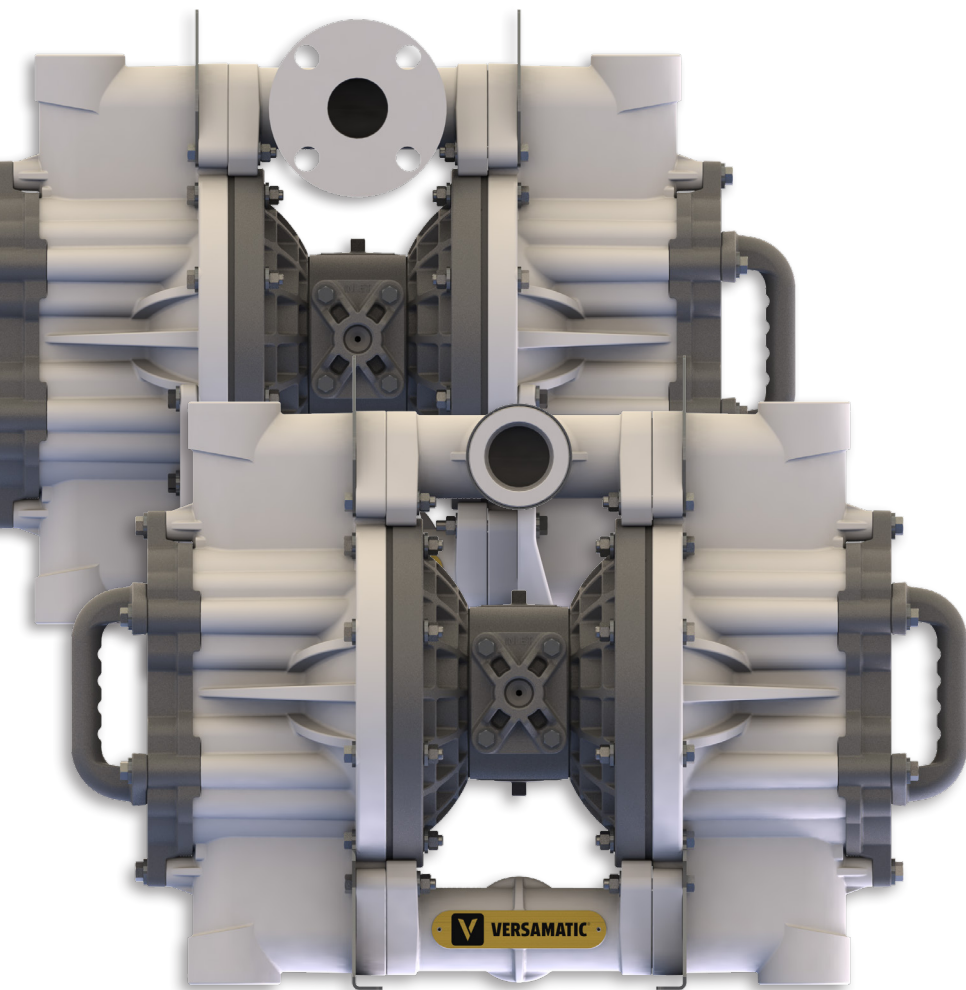


# 2" SOLIDS-HANDLING PLASTIC FLAP VALVE PUMP

AIR OPERATED DOUBLE DIAPHRAGM (AODD) PUMP



The 2" (50.8 mm) plastic Flap Valve Pump was designed to offer superior solids handling in a chemically resistant light weight portable design. These attributes make it perfect for chemical sump, utility and mine de-watering applications.

#### **SOLIDS HANDLING RANGE**

Up to 1.8" (46mm)

#### **LIGHTWEIGHT & PORTABLE**

At 57 lbs. (26 kg) it is safely and easily transported

#### **TOP SUCTION / BOTTOM DISCHARGE**

Gravity assist is ideal for pumping liquids with settling solids

#### **BEST-IN-CLASS AIR EFFICIENCY**

Less than 65 SCFM at Max pump flow

#### **ALL BOLTED CONSTRUCTION**

Rugged, leak free design

#### **SUPERIOR DRY PRIME**

Up to 20' (6.1 m) of water



**VERSAMATIC**<sup>®</sup>  
PUMPING MADE EASY

# REDEFINING THE FLAP VA

## YOUR CHEMICAL SUMP, GENERAL UTILITY, AND MINE DE-WATERING SOLUTION

The robust, yet lightweight design allows for ease of maintenance and movement, and is ideal for handling solids and corrosive fluids. This unique pump has been engineered to fully function in any position, includes lifting handles and hanging points, and has durable mounting feet. This is an ideal solution for numerous applications.

### LIGHTWEIGHT & DURABLE

The plastic, lightweight design makes it easily portable at 57 lbs. (26 kg)

### RELIABILITY GUARANTEE

Strongest diaphragm connecting rod in the industry is guaranteed to not bend or yield in operation

### RUGGED DESIGN

Stainless steel flap valves and seats prevent abrasion when pumping solids laden fluids

### OPTIMUM SOLIDS HANDLING

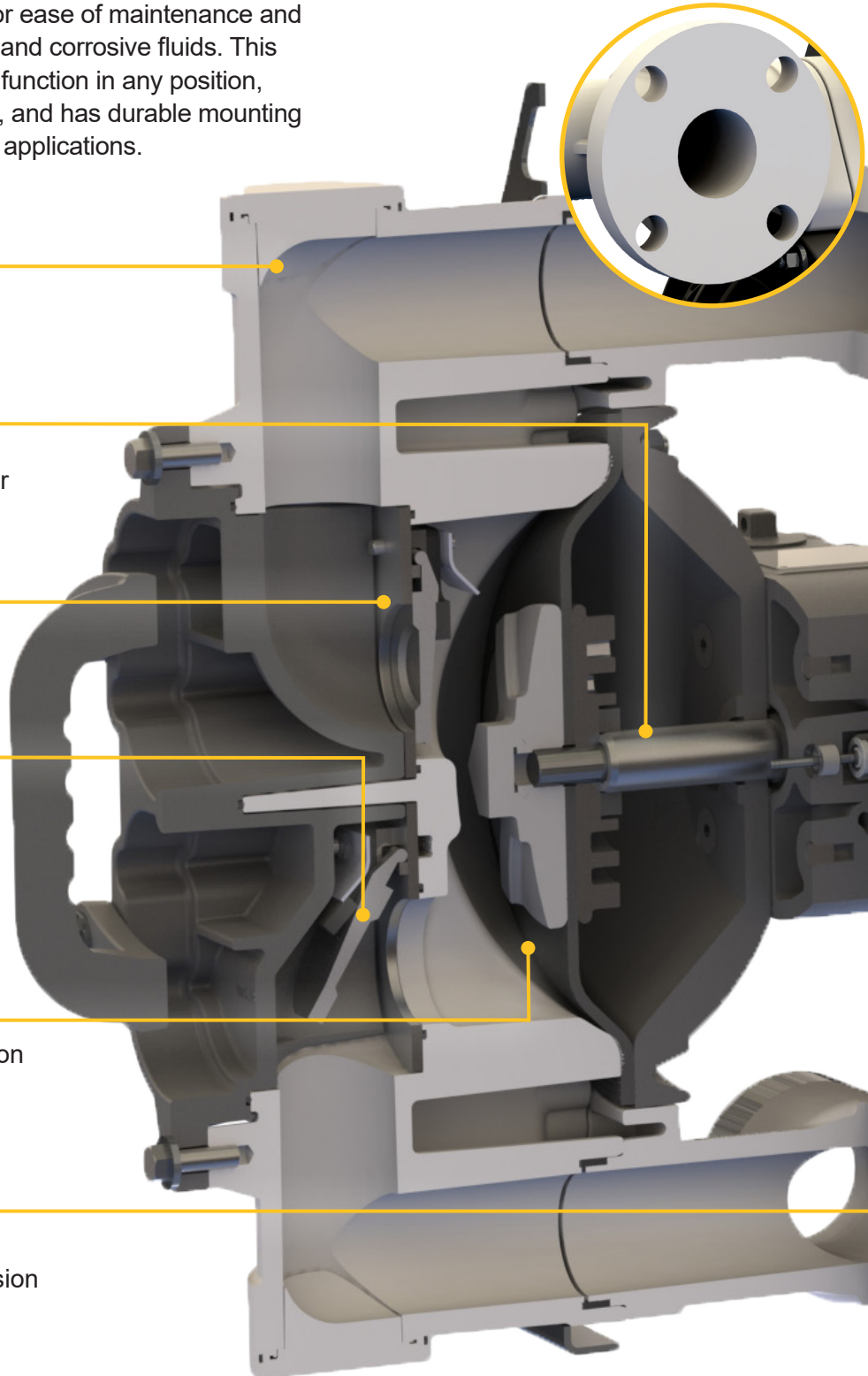
Hinge pads exert positive pressure on the flaps, allowing the pump to operate in virtually any position; they help deliver superior suction lift and flow rates

### LONG LIFE

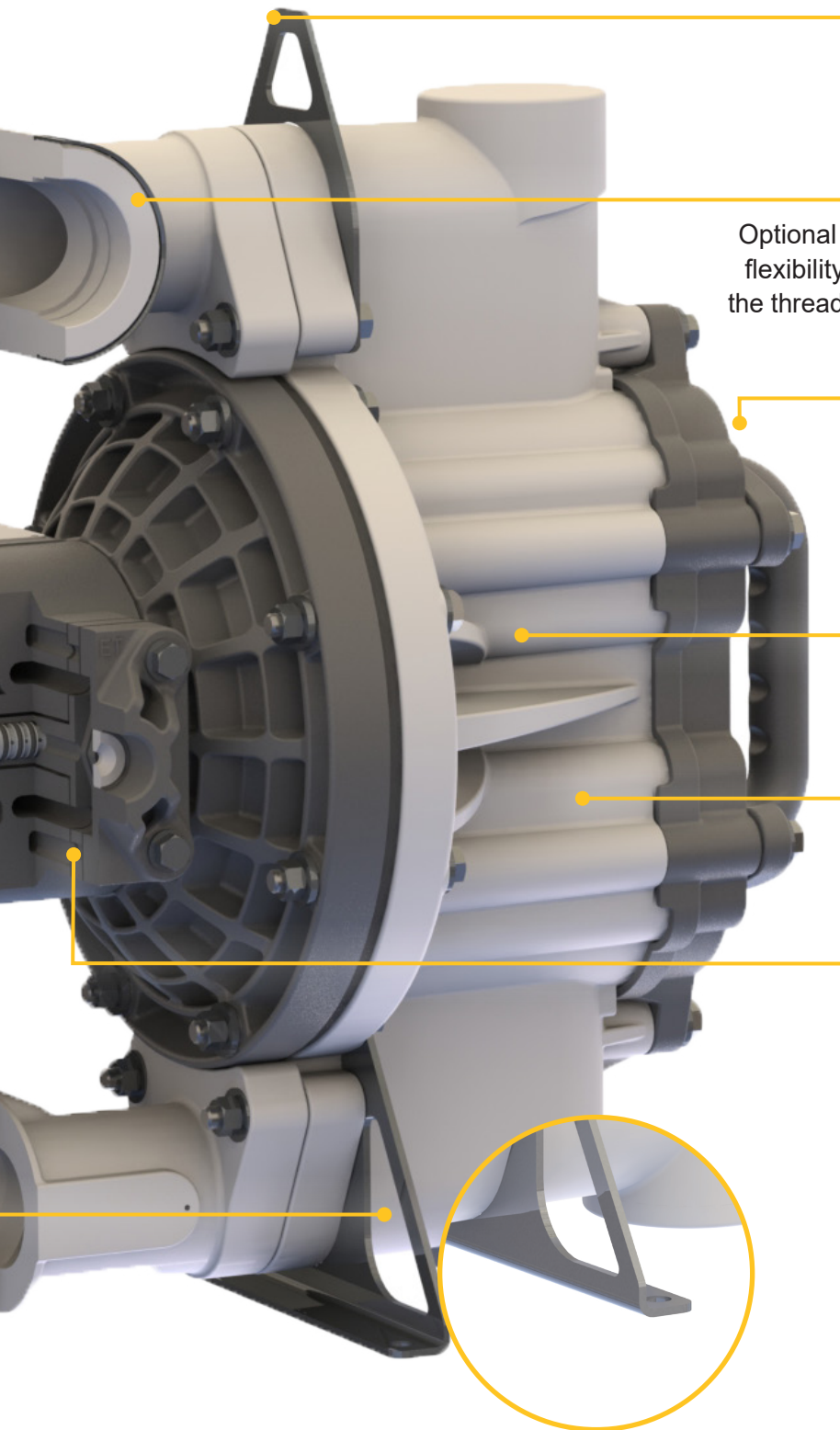
A proven diaphragm design in conjunction with exclusive wear pads reduce plate abrasion, delivering extended life

### PURPOSE BUILT BASE

The threaded version features stainless steel mounting feet and the flanged version features Polypropylene mounting feet



# LVE PUMP



## **OPTIONAL MOUNTING CAPABILITIES**

Addition of stainless steel hanging points located on the manifold allow for multiple mounting options and lifting

## **STRONG MANIFOLD CONNECTIONS**

Optional flanged or threaded connection for additional flexibility: Stainless steel reinforcing rings help protect the threaded manifold connections from being damaged

## **ERGONOMIC HANDLE**

Lifting handles come standard, allowing for easy pump transport; handles can be rotated 90 degrees for proper ergonomics, depending on desired use

## **UNSURPASSED PERFORMANCE**

Industry leading flow rates, suction lift, air efficiency and displacement per stroke

## **VERSATILE DESIGN**

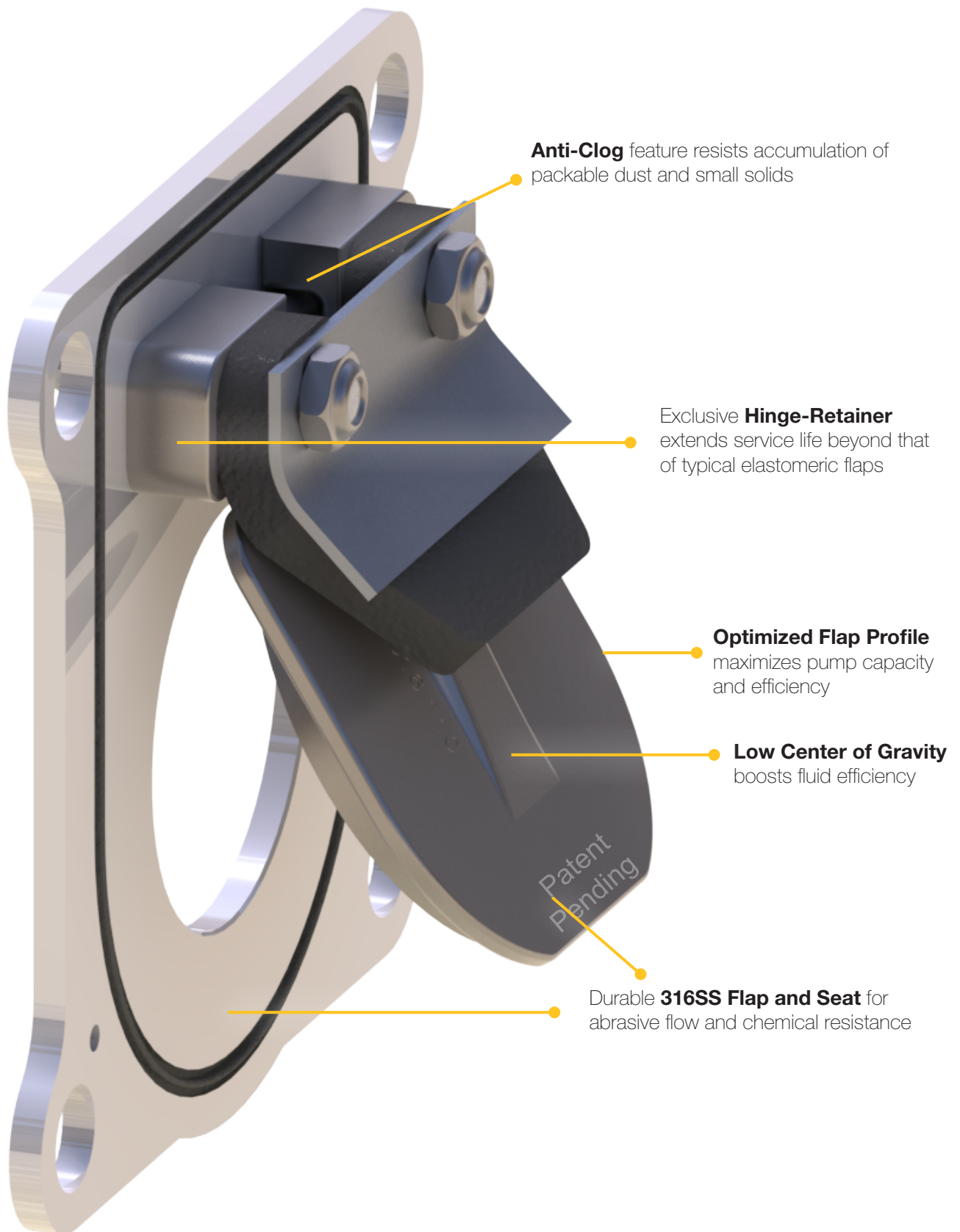
This pump will function in any position, including uneven surfaces

## **SIMPLE MAINTENANCE**

Our Air Distribution System and externally serviceable flap valve modules make in-field service quick and easy, saving you from unnecessary downtime

## PATENT PENDING FLAP – FEATURES & BENEFITS

---



# PERFORMANCE & DIMENSIONS

**MAX CAPACITY**  
170 GPM (644 LPM)

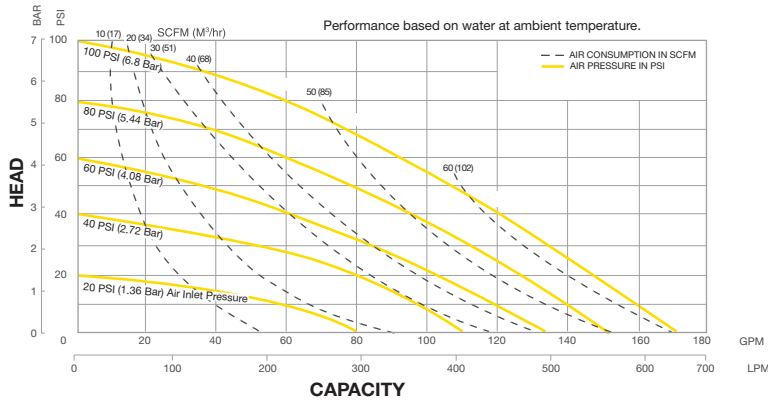
**DISPLACEMENT PER STROKE**  
.50 Gal (1.9 L)

**MAX DISCHARGE PRESSURE**  
100 PSI (7.0 BAR)

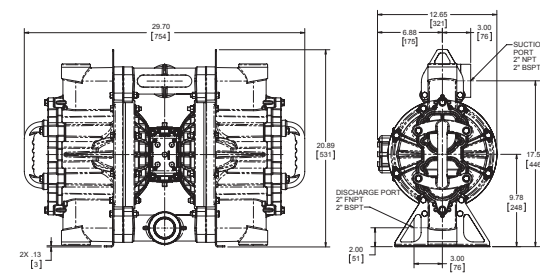
**PIPE SIZE**  
2" NPT / BSP / ANSI / DIN Flange

**MAX SOLIDS HANDLING**  
1.8" (46mm)

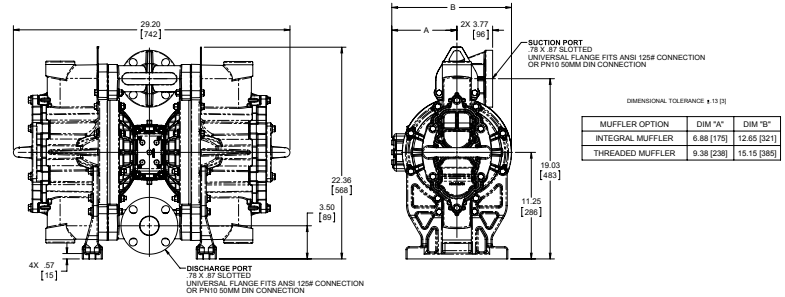
**AIR END/WET END**  
Polypropylene / Stainless Steel  
Seats and Optional Flap Valves  
(Wet End Only)



## 2" PLASTIC FLAP VALVE PUMP WITH THREADED PORTING



## 2" PLASTIC FLAP VALVE PUMP WITH FLANGED PORTING



## EASE OF MAINTENANCE

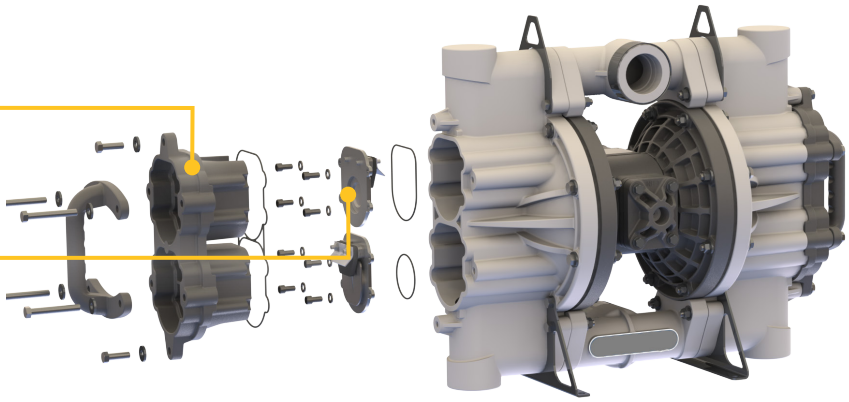
Quick Access to Serviceable Components

### REMOVE CLEAN-OUT CAP

By simply removing six bolts securing the clean-out cap in place, it allows access to clear simple clogs without disassembling the entire pump

### MODULAR CHECK VALVE ACCESS

With the clean-out cap removed, the flap valves can be inspected and / or replaced as needed; four bolts hold the modular flap valves in place for quick maintenance and repair

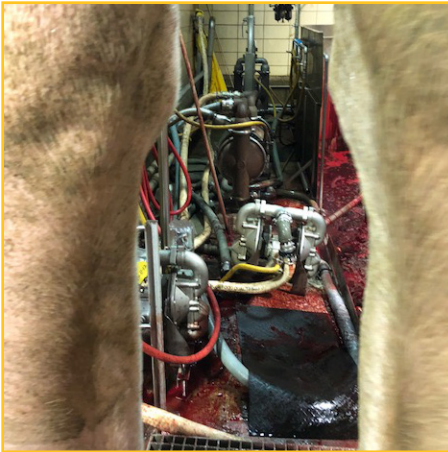


## COMMON APPLICATIONS



### Mine Dewatering

- Coal slurry transfer
- Mine face dewatering
- Roadway and drift water evacuation



### Meat & Poultry Processing

- Animal blood transfer
- Eviscerated animal parts transfer
- Wastewater sludge



### Chemical Sumps

- Debris (leaves & needles, dirt, trash, ear plugs, etc....)
- Stray chemicals
- Variable fluid depths



Warren Rupp, Inc. | A Unit of IDEX Corporation  
800 North Main Street | Mansfield, OH 44902 USA  
Phone: 419.526.7296 | Fax: 419.526.7289



VM\_BRO\_2" Plastic FV Pump-0719

©Copyright 2019 Warren Rupp, Inc. All Rights Reserved.