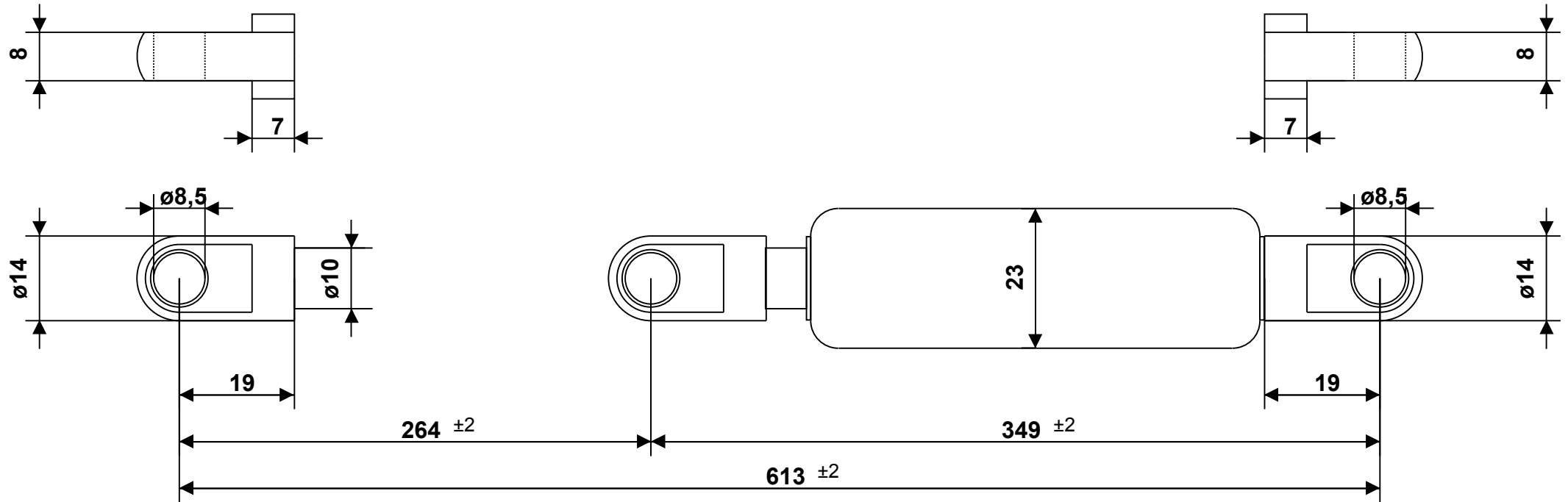


Hahn Part Number: 28-01L0X
 G 10 23 0270 1 0613 AS19 AS19 00600N

Usable stroke less than nominal stroke



Intended for internal use and customer / Tolerance of ext. length: +/- 2mm - Dimensions without tolerance: per DIN ISO 2768-1 -c (ISO 2768 -c) - For Information Only
 Force tolerance: F1 >= 1000N: +/- 5%; < 1000N: +/- 10%, min.: +/- 10N, max.: +/- 50N - Unregistered Copy, Print-out or file not subject to modification service.
 End fitting orientation is random and not represented by drawing unless specified - Observe disposal instructions - Not true to scale



Please note our technical instructions

Assembly/storing with piston rod down

01. Sept 2025

Auto-Printservice

No opening-no heating-high pressure

Made in Germany

Part

Dimension

Material / Surface

Fitting

Progr.:37,00 %

Drawing owned by Hahn Gasfedern GmbH

Piston rod

Ø10mm

Stahl, hartverchromt

AS19 M8 Ø8.5 t=8

Cylinder

Ø23mm

Stahl,schwarz

AS19 M8 Ø8.5 t=8

Configuration ID : 10073794-