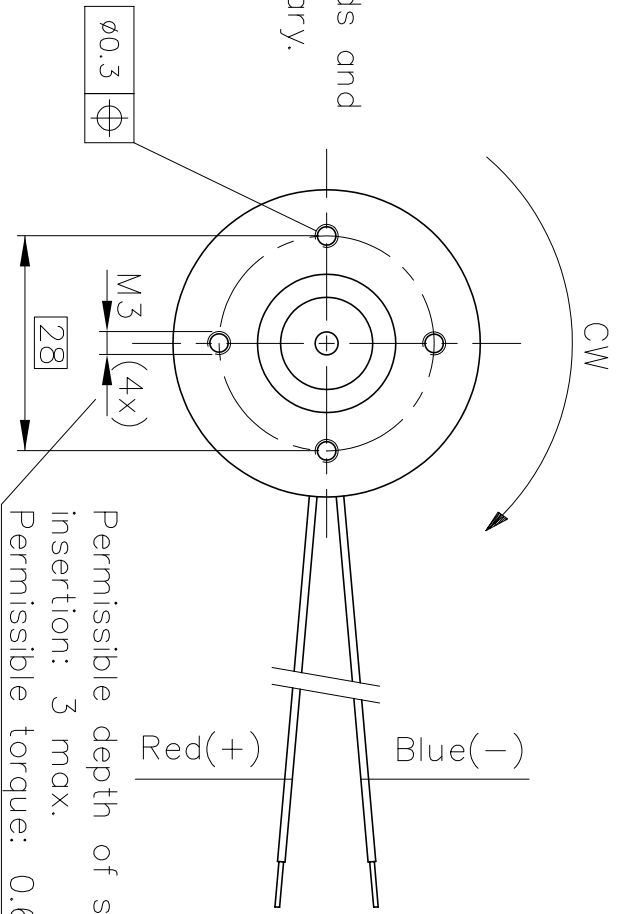


Positioning of leads and fixing holes arbitrary.



The direction of rotating is given in connection with the polarity.
Rotordisplacement 0.2+0.4

Permissible depth of screw insertion: 3 max.
Permissible torque: 0.6NM

SCALE 1:1	EUROP. PROJ. MATERIAL	Motor assy		PATTERN NO.	
		9904 120 16206		Ø40	
CLASS NO.	SUPERS.	4322	010	7506	2
NAME R. van Zeelst	DATE	95-09-28	112	-	1
W .DWG	CHECK		10	A4	
PROPERTY OF PRECISION MOTOR TECHNOLOGY BV DORDRECHT - THE NETHERLANDS					
		81-11-20			
		83-02-22			
		92-10-29			
		95-09-28			
		01-02-07			