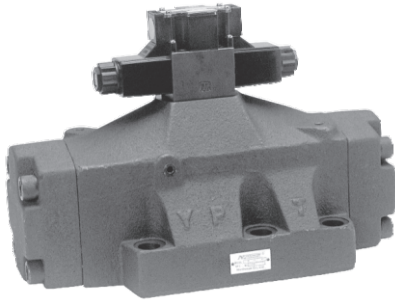


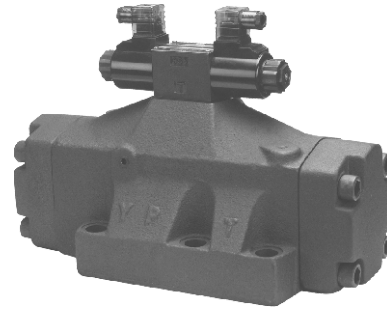


# SOLENOID CONTROLLED PILOT OPERATED DIRECTIONAL VALVE

SW-G10 SERIES



Joint Box With Indicating Lights



Hirschmann Type With Indicating Lights

## HOW TO ORDER

SW	-G	10	-C2	-ET	-A220	-10
Series	Mounting Style	Nominal Size	Spool Type	Option ET	Coil Voltage	Wiring
High Pressure, High Flow Solenoid Directional Valve	Subplate Mounted	32mm	Refer to the Next Page	①	②	③

### ① Option ET

Pilot Type		Drain Type	
E	No Code	T	No Code
External Pilot	Standard Internal Pilot Type	External Drain	Standard Internal Drain Type

### Description

Control Connection	Drain Type	Notice
Internal Pilot Type	External Drain	Pilot Pressure Of Internally Drained Valves Must Always Exceed Tank Port Pressure
	Internal Drain	Open Center Spools C3, C5, C6, C60 Must Be Externally Piloted
External Pilot Type	External Drain	Unlimited Use
	Internal Drain	

### ② Coil Voltage

Coil Type	Voltage
A240	AC240V,60Hz;AC220V,50Hz
A220	AC220V,60Hz;AC200V,50Hz
A120	AC120V,60Hz;AC110V,50Hz
A110	AC110V,60Hz;AC100V,50Hz
D12	DC12V
D24	DC24V

### ③ Wiring

10	Joint Box with Indicating Lights
20	Hirschmann Type with Indicating Lights



### List of Spool Configurations

Application	Spool Type	Symbols	Application	Spool Type	Symbols
4-way, 3-position Spring Centered	C2		4-way, 2-position No Spring, No Detent	N2	
	C3			N3	
	C4			4-way, 2-position Detent	D2
	C40		D3		
	C5		4-way, 2-position Spring Offset (Solenoid b)		B2
	C6			B3	
	C60			B20	
	C7			4-way, 2-position Spring Offset (Solenoid a)	B2S
	C8		B3S		
C9		B20S			
4-way, 2-position Spring Offset (Solenoid b)	C2B		C2BS		
	C3B		C3BS		
	C4B		C4BS		
	C40B		C40BS		
	C5B		C5BS		
	C6B		C6BS		
	C60B		C60BS		
	C7B		C7BS		
	C8B		C8BS		
	C9B		C9BS		
	C5SB		4-way, 3-position Spring Centered	C5S	
	C8SB			C8S	
	C9SB			C9S	