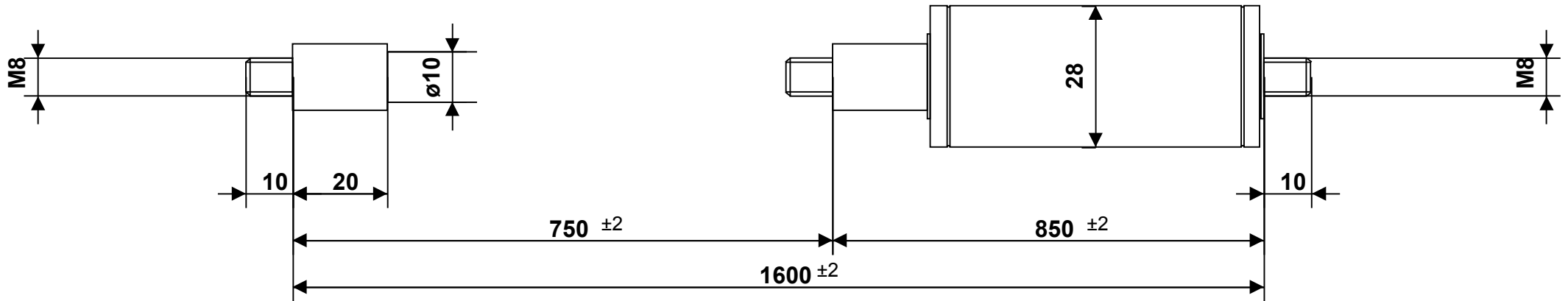


**Hahn Part Number: 28-22CB8**  
**Z 10 28 0750 0 1600 GZ10 GZ10 00400N /5/Si/V2**



Intended for internal use and customer / Tolerance of ext. length: +/- 2mm - Dimensions without tolerance: per DIN ISO 2768-1 -c (ISO 2768 -c) - For Information Only  
 Force tolerance: F1 >= 1000N: +/- 5%; < 1000N: +/- 10%, min.: +/- 10N, max.: +/- 50N - Unregistered Copy, Print-out or file not subject to modification service.  
 End fitting orientation is random and not represented by drawing unless specified - Observe disposal instructions - Not true to scale



Please note our technical instructions

Assembly/storing with piston rod up

03. Nov 2025

Auto-Printservice

No opening-no heating-high pressure

Made in Germany

**Part**

**Dimension**

**Material / Surface**

**Fitting**

**Progr.:28,90 %**

Drawing owned by Hahn Gasfedern GmbH

Piston rod

Ø10mm

V2A

GZ10 M8x10

info@hahn-gasfedern.de

Cylinder

Ø28mm

V2A,

GZ10 M8x10

www.hahn-gasfedern.de

Configuration ID : 10075965-